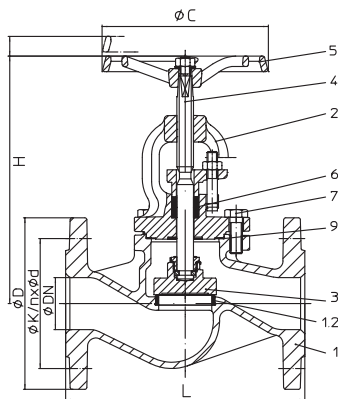



Fig. 006

Features:

- Solid plug made of stainless material
- Solid stem made of stainless material
- Solid seat made of stainless material
- Favourable zeta-values also for small nominal diameters
- Proven technology
- Stem with roll hardened thread
- Burnished stem
- High-tensile gland packing

In cast steel, forged steel and stainless steel:

- Bonnet top with threaded bushing
- Pivot mounted bolts

Selection of possible applications

Industry, power stations, flue gas purification plant, vapour facilities, recycling facilities, shipbuilding, general plant manufacturing (other applications on request)

Selection of possible flow media

Steam, gases, liquids, etc. (other flow media on request)

Figure	Nom. pressure	Material	Nom. diameter
12.006	PN16	EN-JL1040	DN15-300
22.006	PN16	EN-JS1049	DN15-350
23.006	PN25	EN-JS1049	DN15-150
34.006	PN25	1.0619+N	DN15-500
35.006	PN40	1.0619+N	DN15-500

Test: • 34.006 DN15-400: Test approvals TÜ.A/TÜV.AR.187-00
 • 35.006 DN15-200: Test approvals TÜ.A/TÜV.AR.187-00
 • DN15-300 optional: German TA-Luft TÜV-Test-No. 922-9204866

Dimension

	DN	15	20	25	32	40	50	65	80	100	125	150	200	250	300	350
L	(mm)	130	150	160	180	200	230	290	310	350	400	480	600	730	850	980
H	(mm)	185	185	205	205	230	230	270	305	355	395	450	570	685	770	860
ØC	(mm)	120	120	140	140	160	160	180	200	225	250	400	520	520	520	640
Travel	(mm)	9	9	13	13	21	19	28	32	36	52	56	73	80	110	116
Kvs-value	(m³/h)	4.2	7.4	12	19	31	47	77	120	188	288	410	725	1145	1635	2220
Zeta-value	--	4.6	4.7	4.3	4.6	4.3	4.5	4.8	4.5	4.5	4.7	4.8	4.9	4.8	4.8	4.9

Zeta-value ... range of tolerance for Kvs-values acc. to VDI/VDE 2173

Material

Pos.	Description	Fig. 12.006	Fig. 22./23.006	Fig. 34./35.006
1	Body	EN-JL1040, EN-GJL-250	EN-JS1049, EN-GJS-400-18U-LT	GP240GH+N, 1.0619+N
1.2	Seat ring	X20Cr13+QT, 1.4021+QT	X20Cr13+QT, 1.4021+QT	DN ≤50: X20Cr13+QT, 1.4021+QT DN >50: G19 9 Nb Si, 1.4551
2	Bonnet	EN-JL1040, EN-GJL-250	EN-JS1049, EN-GJS-400-18U-LT	GP240GH+N, 1.0619+N
3	Plug *	DN ≤200: X20Cr13+QT, 1.4021+QT DN >200: P265 GH, 1.0425	DN ≤200: X20Cr13+QT, 1.4021+QT DN >200: P265 GH, 1.0425	DN ≤200: X20Cr13+QT, 1.4021+QT DN >200: P265 GH, 1.0425
4	Stem *	X20Cr13+QT, 1.4021+QT (burnished)	X20Cr13+QT, 1.4021+QT (burnished)	X20Cr13+QT, 1.4021+QT (burnished)
5	Handwheel	EN-JL1040, EN-GJL-250 (FE 13 epoxy-coating)		
6	Packing ring *	Pure graphite		
7	Hexagon bolt	5.6	--	--
7	Stud	--	25CrMo4, 1.7218	25CrMo4, 1.7218
8	Hexagon nut	--	C35E, 1.1181	C35E, 1.1181
9	Gasket *	Pure graphite (CrNi laminated with graphite)		
10	Insert nuts	--	--	11SMn30+C, 1.0715+C

*Spare part

Pressure Temperature Ratings

Material	PN		-60°C to <-10°C	-10°C to 120°C	150°C	200°C	250°C	300°C	350°C	400°C	450°C
EN-JL1040	16	(bar)	--	16	14.4	12.8	11.2	9.6	--	--	--
EN-JS1049	16	(bar)	on request	16	15.5	14.7	13.9	12.8	11.2	--	--
EN-JS1049	25	(bar)	on request	25	24.3	23	21.8	20	17.5	--	--
Material	PN		-60°C to <-10°C	-10°C to 120°C	150°C	200°C	250°C	300°C	350°C	400°C	450°C
1.0619+N	25	(bar)	18.7	25	23.9	22	20	17.2	16	14.8	8.2
1.0619+N	40	(bar)	30	40	38.1	35	32	28	25.7	23.8	13.1
1.0460	25	(bar)	18.7	25	23.9	22	20	17.2	16	14.8	10
1.0460	40	(bar)	30	40	38.1	35	32	28	25.7	23.8	16

*last updated 10/16